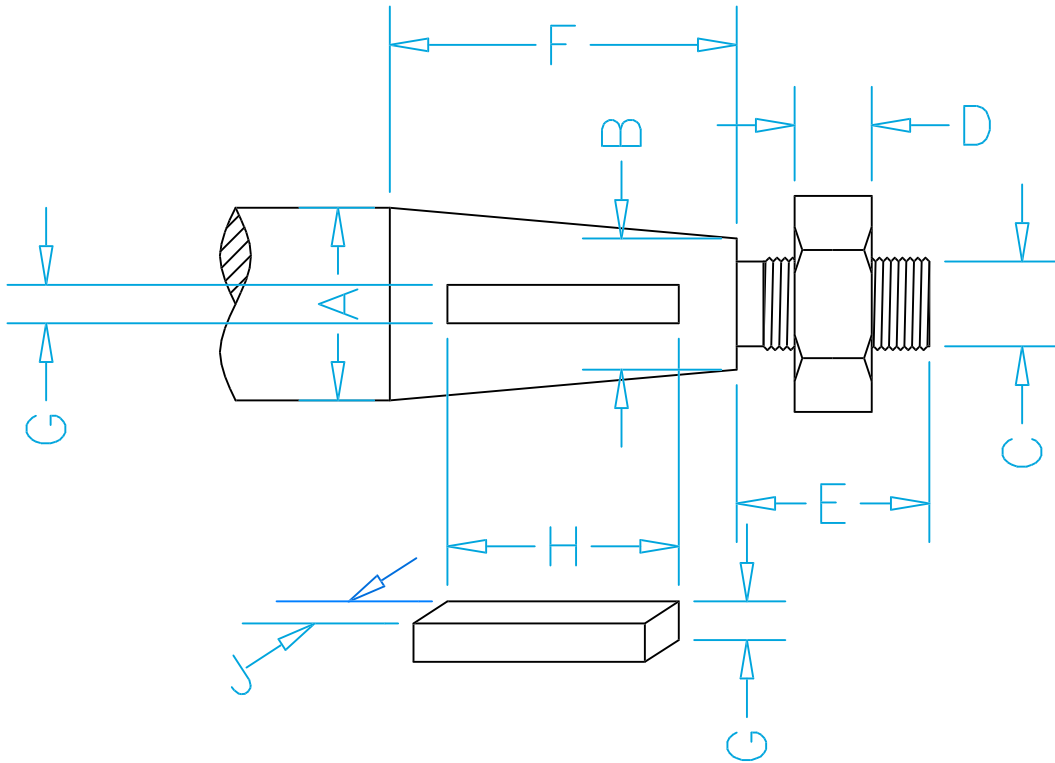


# KIWI FEATHERING PROPS BY VECTA MARINE.



If shaft drive, please give the shaft/taper/key details below.  
 If spline, please give the make and model.

A	=	Shaft dia.
---	---	------------

B	=	Shaft dia at end of taper.
---	---	----------------------------

C	=	
---	---	--

D	=	
---	---	--

E	=	
---	---	--

F	=	
---	---	--

G	=	
---	---	--

H	=	Key.
---	---	------

J	=	
---	---	--

Make.
-------

Model.
--------